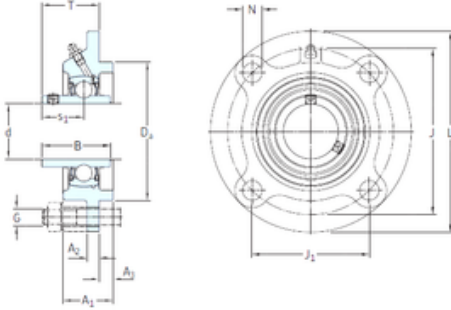




# BROWNING BEARING COMPANY

## skf fyc 35 tf bearing



Bearing No. fyc 35 tf

fyc 35 tf Bearing 2D drawings and 3D CAD models

Bore Diameter	35 mm
d	35 mm
Da	90 mm
s1	25,4 mm
A1	34 mm
B	42,9 mm
G	12 mm
J	110 mm
L	135 mm
N	14 mm
T	36,4 mm
A2	9 mm
A3	8 mm
J1	77,8 mm
Weight	1,55 Kg
Basic dynamic load rating (C)	25,5 kN
Basic static load rating (C0)	15,3 kN
Fatigue load limit (Pu)	0,655
Category	Flange Block Bearings
Inventory	0.0
Manufacturer Name	SKF
Minimum Buy Quantity	N/A
Weight / Kilogram	1.55
EAN	7316570199918
Product Group	M06110
Number of Mounting Holes	4



## BROWNING BEARING COMPANY

Mounting Method	Set Screw
Housing Style	4 Bolt Round Flange Cartridge
Rolling Element	Ball Bearing
Housing Material	Cast Iron
Expansion / Non-expansion	Non-expansion
Mounting Bolts	12 Millimeter
Relubricatable	Yes
Insert Part Number	YAR 207-2F
Seals	M Seal
Housing Configuration	1 Piece Solid
Pilot Configuration	With Pilot
Inch - Metric	Metric
Long Description	4 Bolt Round Flange Cartridge; 35MM Bore; 110MM Bolt Circle; 77.8MM Bolt Spacing; 1 Piece Solid; Set Screw Mount; Cast Iron; Ball Bearing; 42.9MM Length Thru Bore; Relubricatable; M Seal Seals
Other Features	Single Row   Wide Inner Race   Open End   Has Flinger   Y Bearing
Category	Flange Block
UNSPSC	31171501
Harmonized Tariff Code	8483.20.40.40
Noun	Bearing
Keyword String	Flanged
Manufacturer URL	<a href="http://www.skf.com">http://www.skf.com</a>
Manufacturer Item Number	FYC 35 TF
Weight / LBS	3.42
Bolt Spacing	3.063 Inch   77.8 Millimeter
Nominal Bolt Circle Diameter Round	4.3 Inch   110 Millimeter



## BROWNING BEARING COMPANY

Length Thru Bore	1.689 Inch   42.9 Millimeter
Cartridge Pilot Depth	0.315 Inch   8 Millimeter
Cartridge Pilot Diameter	3.543 Inch   90 Millimeter
Bore	1.378 Inch   35 Millimeter
bore diameter:	35 mm
radial static load capacity:	15.3 kN
bolt circle diameter:	4.3307 in
length through bore:	42.9 mm
overall length/diameter:	135 mm
finish/coating:	Uncoated
bore type:	Round
maximum rpm:	5300 RPM
mounting type:	Four-Bolt Piloted
lubrication type:	Lubrication Fitting
housing material:	Cast Iron
series:	FYC
locking device:	Set Screw
replacement bearing:	YAR 207-2F
expansion type:	Non-Expansion Bearing (Fixed)
manufacturer upc number:	7316570199918
radial dynamic load capacity:	25.5 kN
Housing material	Cast iron
A	33.5 mm
A <sub>1</sub>	9 mm
A <sub>3</sub>	8 mm
B <sub>4</sub>	6 mm
D <sub>a</sub>	90 mm
D <sub>b</sub>	90.1 mm
J <sub>1</sub>	77.8 mm
s <sub>1</sub>	25.4 mm
R <sub>G</sub>	1/4-28 UNF



## BROWNING BEARING COMPANY

$R_1$	17 mm
$D_N$	6.5 mm
$SW_N$	7 mm
$G_N$	1/4-28 SAE-LT
Basic dynamic load rating C	25.5 kN
Basic static load rating $C_0$	15.3 kN
Fatigue load limit $P_u$	0.655 kN
Limiting speed with shaft tolerance h6	5300 r/min
Mass unit	1.55 kg
Thread grub screw $G_2$	M6x0.75
Hexagonal key size for grub screw N	3 mm
Recommended tightening torque for grub screw	4 N · m
Recommended diameter for attachment bolts, mm G	12 mm
Recommended diameter for attachment bolts, inch G	0.5 in