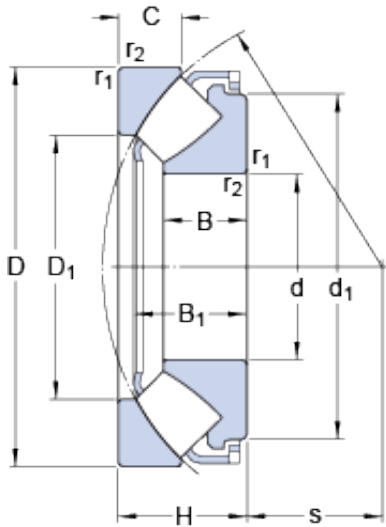




BROWNING BEARING COMPANY



60 mm x 130 mm x 27 mm skf 29412 e bearing

Bearing No. 29412 e

29412 e Bearing 2D drawings and 3D CAD models

Size	130x60x42 mm
Bore Diameter	130 mm
Outer Diameter	60 mm
Width	42 mm
d	60 mm
D	130 mm
H	42 mm
d ₁	112 mm
D ₁	85.5 mm
B	27 mm
B ₁	36.7 mm
C	21 mm
s	38 mm
r _{1,2} - min.	1.5 mm
d _a - min.	90 mm
d _{b1} - max.	67 mm
d _{b2} - max.	67 mm
D _a - max.	107 mm
r _a - max.	1.5 mm
Basic dynamic load rating - C	390 kN
Basic static load rating - C ₀	915 kN
Fatigue load limit - P _u	114 kN
Reference speed	2800 r/min
Limiting speed	5000 r/min
Factor min. axial load - A	0.08



BROWNING BEARING COMPANY

Category	Thrust Roller Bearing
Inventory	0.0
Manufacturer Name	SKF
Minimum Buy Quantity	N/A
Weight / Kilogram	2.6
EAN	7316576609015
Product Group	B04311
Rolling Element	Spherical Roller Bearing
Self Aligning	Yes
Component Description	Roller Assembly plus Raceways
Thrust Bearing	Yes
Single or Double Direction	Single Direction
Banded	No
Cage Material	Steel
Precision Class	ABEC 1 ISO P0
Other Features	Single Row Window Type Cage
Long Description	60MM Bore 1; 85.5MM Bore 2; 130MM Outside Diameter; 42MM Height; Spherical Roller Bearing; Single Direction; Self Aligning; Not Banded; Steel Cage; ABEC 1 ISO P0; Roller Assembly plus Raceways
Inch - Metric	Metric
Category	Thrust Roller Bearings
UNSPSC	31171507
Harmonized Tariff Code	8482.30.00.40
Noun	Bearing
Keyword 3	Spherical
Keyword String	Thrust Roller Spherical
Manufacturer URL	http://www.skf.com



BROWNING BEARING COMPANY

Manufacturer Item Number	29412 E
Weight / LBS	5.732
Height	1.654 Inch 42 Millimeter
Overall Height with Aligning Washer	0 Inch 0 Millimeter
Bore 1	2.362 Inch 60 Millimeter
Bore 2	3.366 Inch 85.5 Millimeter
Outside Diameter	5.118 Inch 130 Millimeter
bore diameter:	60 mm
operating temperature range:	Maximum of +392 ° F
outside diameter:	130 mm
maximum rpm:	5000 RPM
overall width:	42 mm
separable type:	Non-Separable
cage material:	Steel
fillet radius:	1.5 mm
static load capacity:	915 kN
series:	294
dynamic load capacity:	390 kN
d_1	112 mm
D_1	85.5 mm
B_1	36.7 mm
$r_{1,2}$ min.	1.5 mm
d_a min.	90 mm
d_{b1} max.	67 mm
d_{b2} max.	67 mm
D_a max.	107 mm
r_a max.	1.5 mm
Basic dynamic load rating C	390 kN
Basic static load rating C_0	915 kN
Fatigue load limit P_u	114 kN
Minimum axial load factor	0.08



BROWNING BEARING COMPANY

A	
Mass bearing	2.6 kg