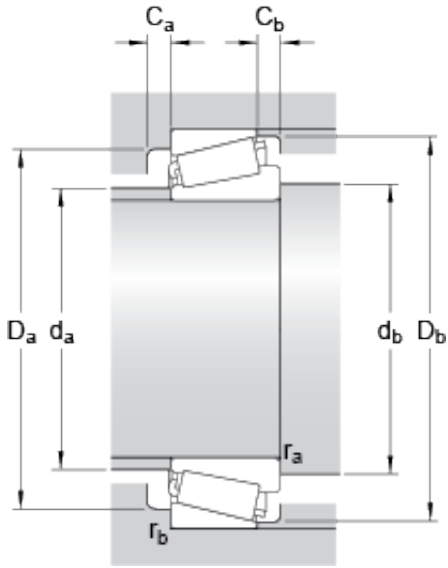




BROWNING BEARING COMPANY



15 mm x 35 mm x 11 mm skf 30202 bearing

Bearing No. 30202

30202 Bearing 2D drawings and 3D CAD models

Dimension series	2CC
d	15 mm
D	35 mm
T	11.75 mm
d ₁	25.6 mm
B	11 mm
C	9.25 mm
r _{1,2} min.	0.6 mm
r _{3,4} min.	0.6 mm
a	8.308 mm
d _a max.	20 mm
d _b min.	20.5 mm
D _a min.	30 mm
D _a max.	30.5 mm
D _b min.	32 mm
C _a min.	2 mm
C _b min.	2.5 mm
r _a max.	0.6 mm
r _b max.	0.6 mm
Basic dynamic load rating C	18.5 kN
Basic static load rating C ₀	14.6 kN
Fatigue load limit P _u	1.43 kN
Reference speed	17000 r/min
Limiting speed	20000 r/min
Calculation factor e	0.35
Calculation factor Y	1.7



BROWNING BEARING COMPANY

Calculation factor Y_0	0.9
Mass bearing	0.055 kg