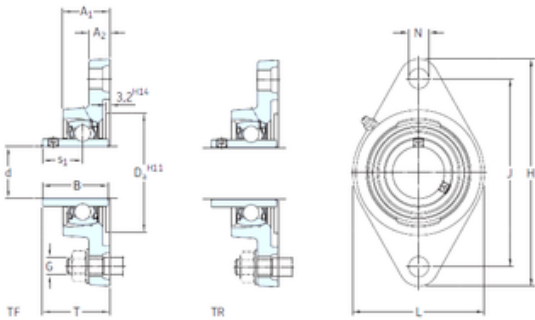




BROWNING BEARING COMPANY

skf fytb 30 tf bearing

Bearing No. fytb 30 tf



fytb 30 tf Bearing 2D drawings and 3D CAD models

| | |
|-------------------------------|-----------------------|
| Bore Diameter | 30 mm |
| d | 30 mm |
| Da | 76,2 mm |
| s1 | 22,2 mm |
| A1 | 32,5 mm |
| B | 38,1 mm |
| G | 10 mm |
| H | 141,5 mm |
| J | 116,5 mm |
| L | 83 mm |
| N | 11,5 mm |
| T | 42,2 mm |
| A2 | 13 mm |
| Weight | 0,93 Kg |
| Basic dynamic load rating (C) | 19,5 kN |
| Basic static load rating (C0) | 11,2 kN |
| Fatigue load limit (Pu) | 0,475 |
| Category | Flange Block Bearings |
| Inventory | 0.0 |
| Manufacturer Name | SKF |
| Minimum Buy Quantity | N/A |
| Weight / Kilogram | 0.93 |
| EAN | 7316577030993 |
| Product Group | M06110 |
| Number of Mounting Holes | 2 |
| Mounting Method | Set Screw |



BROWNING BEARING COMPANY

| | |
|---------------------------|---|
| Housing Style | 2 Bolt Flange Block |
| Rolling Element | Ball Bearing |
| Housing Material | Cast Iron |
| Expansion / Non-expansion | Non-expansion |
| Mounting Bolts | 10 Millimeter |
| Relubricatable | Yes |
| Insert Part Number | YAR 206-2F |
| Seals | M Seal |
| Housing Configuration | 1 Piece Solid |
| Pilot Configuration | No Pilot |
| Inch - Metric | Metric |
| Long Description | 2 Bolt Flange Block; 30MM Bore; 117MM Bolt Circle; 116.5MM Bolt Spacing; 1 Piece Solid; Set Screw Mount; Cast Iron; Ball Bearing; 38.1MM Length Thru Bore; Relubricatable; M Seal Seals |
| Other Features | Single Row Standard Duty Wide Inner Race Open End Has Flinger Y Bearing |
| Category | Flange Block |
| UNSPSC | 31171501 |
| Harmonized Tariff Code | 8483.20.40.40 |
| Noun | Bearing |
| Keyword String | Flanged |
| Manufacturer URL | http://www.skf.com |
| Manufacturer Item Number | FYTB 30 TF |
| Weight / LBS | 2.05 |
| Bore | 1.181 Inch 30 Millimeter |
| Bolt Spacing | 4.587 Inch 116.5 Millimeter |
| Length Thru Bore | 1.5 Inch 38.1 Millimeter |
| | |



BROWNING BEARING COMPANY

| | |
|------------------------------------|-------------------------------|
| Cartridge Pilot Diameter | 0 Inch 0 Millimeter |
| Cartridge Pilot Depth | 0 Inch 0 Millimeter |
| Nominal Bolt Circle Diameter Round | 4.6 Inch 117 Millimeter |
| bore diameter: | 30 mm |
| radial static load capacity: | 11.2 kN |
| bolt center-to-center length: | 116.50 mm |
| seal type: | Contact with Flinger |
| overall length/diameter: | 83 mm |
| length through bore: | 42.2 mm |
| bore type: | Round |
| operating temperature range: | Maximum of +110 ° F |
| duty type: | Standard Duty |
| finish/coating: | Uncoated |
| mounting type: | Two-Bolt Flange |
| maximum rpm: | 6300 RPM |
| housing material: | Cast Iron |
| lubrication type: | Lubrication Fitting |
| locking device: | Set Screw |
| series: | FYTB |
| expansion type: | Non-Expansion Bearing (Fixed) |
| replacement bearing: | YAR 206-2F |
| radial dynamic load capacity: | 19.5 kN |
| manufacturer upc number: | 7316577030993 |
| Housing material | Cast iron |
| D_a | 76.2 mm |
| D_{b1} | 77 mm |
| D_{b2} | 83 mm |
| A | 32.5 mm |
| A_1 | 13 mm |
| | |



BROWNING BEARING COMPANY

| | |
|---|---------------|
| A ₃ | 3.2 mm |
| A ₅ | 20 mm |
| B ₄ | 5 mm |
| s ₁ | 22.2 mm |
| R _G | 1/4-28 UNF |
| R ₁ | 21 mm |
| R | 45 ° |
| D _N | 6.5 mm |
| SW _N | 7 mm |
| G _N | 1/4-28 SAE-LT |
| J ₆ | 98.5 mm |
| J ₇ | 12.5 mm |
| N ₄ | 2 mm |
| Basic dynamic load rating C | 19.5 kN |
| Basic static load rating C ₀ | 11.2 kN |
| Fatigue load limit P _u | 0.475 kN |
| Limiting speed | 6300 r/min |
| Mass bearing unit | 0.84 kg |
| Thread grub screw G ₂ | M6x0.75 |
| Hexagonal key size for grub screw N | 3 mm |
| Recommended tightening torque for grub screw | 4 N · m |
| Recommended diameter for attachment bolts, mm G | 10 mm |
| Recommended diameter for attachment bolts, inch G | 0.375 in |
| Housing | FYTB 506 M |
| Bearing | YAR 206-2F |
| End cover | ECY 206 |